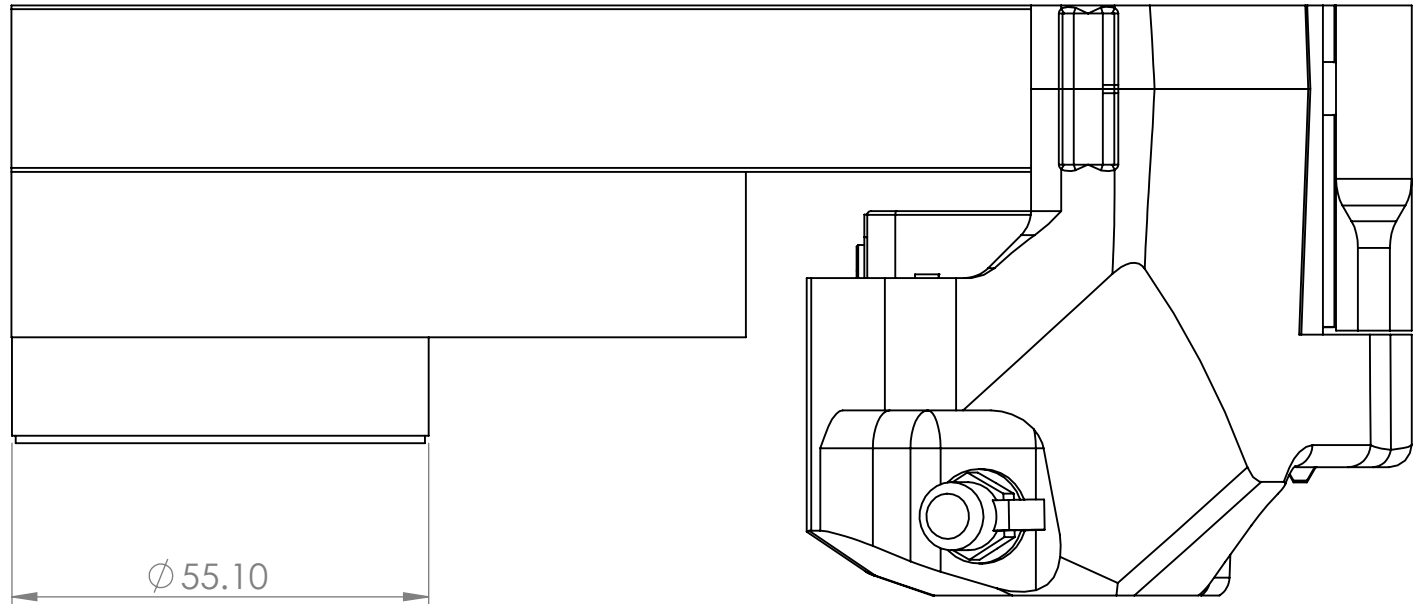


15-19 Mazda Miata MX5 ND Full Kit 280 CUTOUT

CR4 4-Piston Caliper



$\phi 55.10$
SCALE CHECK

NOTE: Please print on A4 or Letter size paper.
DO NOT RESCALE to print.

UNLESS OTHERWISE SPECIFIED: DIMENSIONS ARE IN MILLIMETERS SURFACE FINISH: TOLERANCES: LINEAR: ANGULAR:			FINISH:		DEBURR AND BREAK SHARP EDGES		DO NOT SCALE DRAWING		REVISION		
	NAME	SIGNATURE	DATE				TITLE:				
DRAWN											
CHK'D											
APPV'D											
MFG											
Q.A					MATERIAL:		DWG NO.				A4
					WEIGHT:		SCALE:1:5			SHEET 1 OF 1	